



Application: 1984-1992

Part Includes

1 - Component

Electric Relay Power Antenna



Tools Needed



Search: *Electrical System*
www.mamotorworks.com

COUPE:

STEP 1.

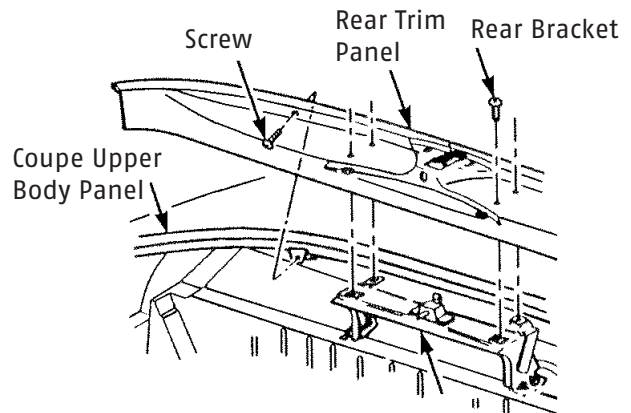
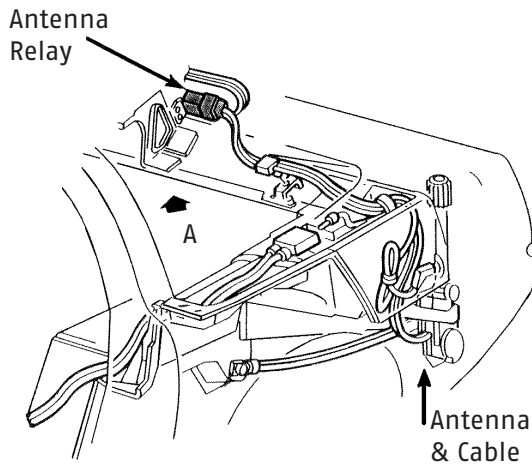
To access the relay, open the rear hatch glass and remove the black rear plastic panel as shown in diagram.

STEP 2.

To remove the extra top panel's plastic handle, grasp the handle and pull upward. The handle will pop off allowing the panel to be removed.

STEP 3.

The antenna relay is to the driver's side of the rear hatch glass latch. The relay has two connectors. Push the lock tab in and pull the connector away from the relay.



Mamotorworks



@CorvettePassion



MidAmericaMotorworks



CorvettePassion

2900 North Third Street, Effingham, IL 62401

800.500.1500 • Worldwide: 217.540.4200 • FAX: 217.540.4800

www.mamotorworks.com • generalmail@mamotorworks.com

©Mid America Motorworks, Inc. All rights reserved.



Description (cont.)

COUPE:

STEP 1.

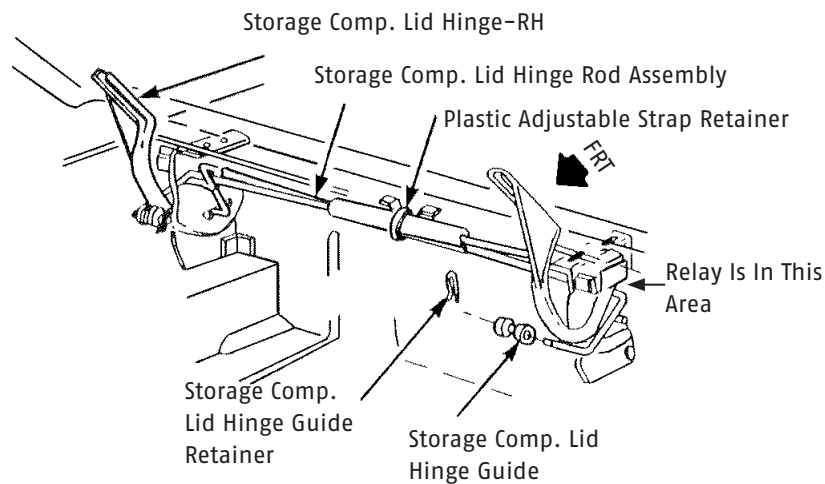
To access the relay, open the rear hatch glass and remove the black rear plastic panel as shown in diagram.

STEP 2.

To remove the extra top panel's plastic handle, grasp the handle and pull upward. The handle will pop off allowing the panel to be removed.

STEP 3.

The antenna relay is to the driver's side of the rear hatch glass latch. The relay has two connectors. Push the lock tab in and pull the connector away from the relay.



CONVERTIBLE:

STEP 1.

Lift up the rear top and raise the rear deck lid. The antenna relay is located by the left rear deck lid hinge to the body or in the floor area below the hinge to the body. Sometimes the relay is on the floor panel covered by tape.

STEP 2.

After the relay is changed, reposition it on top of the floor pan up by the center hinge bars. This helps prevent the relay from getting any moisture in it.