



**Application:** 1990-1995 Corvette

**Part Includes**

1 - Component

## Center Panel Bulb Kit



### Tools Needed



Search: **Light**

[www.mamotorworks.com](http://www.mamotorworks.com)

### REPLACING BULBS: AC CONTROL HEAD, RADIO CONTROL HEAD & DRIVER INFORMATION PANEL

#### STEP 1.

To access the AC control head, radio control head and driver information panel bulbs, you must remove the center dash bezel covering the components. (First you will have to remove the center console shifter plate.)

#### STEP 2.

Open the console lid and pull back the black felt pad on the forward end of the console opening.

#### STEP 3.

Remove the two 7mm head screws and the 7mm screw in the ashtray opening.

#### STEP 4.

Lift up and turn the transmission plate so that it rests parallel to the dash. If necessary, disconnect the shift indicator socket from the panel.

#### STEP 5.

Now remove the two lower 7mm screws. These hold the center bezel to the lower instrument panel.

#### STEP 6.

Remove the Phillips screws holding the center AC duct cover to the dash.

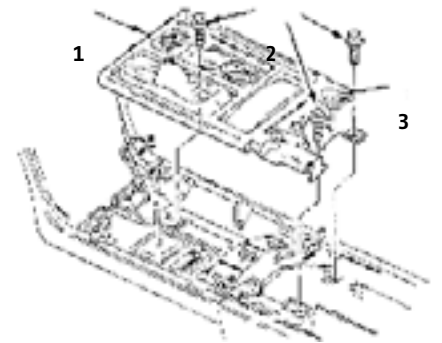
#### STEP 7.

Lay the duct cover to the side and remove the 7mm screws holding the bezel to the dash. Remove the bezel.

#### STEP 8.

To remove the components, remove the 7mm screws holding each component to the dash. **Do not turn the ignition on with the driver information panel unplugged from the dash.** Doing so can set an air bag fault code. 1990 cars require the code to be removed from the air bag's DERM (Diagnostic Energy Reserve Module) memory.

### Console Trim Plate



1. Console Trim Plate
2. Screws
3. Rear Compartment Lid Release Switch



Mamotorworks



@CorvettePassion



MidAmericaMotorworks



CorvettePassion

**2900 North Third Street, Effingham, IL 62401**

**800.500.1500 • Worldwide: 217.540.4200 • FAX: 217.540.4800**

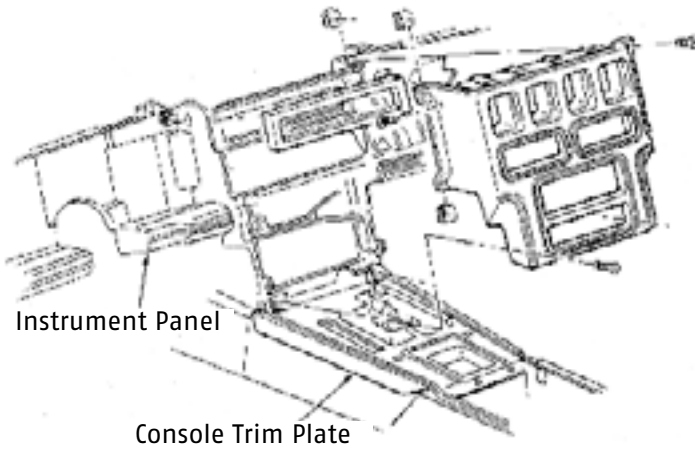
**[www.mamotorworks.com](http://www.mamotorworks.com) • [generalmail@mamotorworks.com](mailto:generalmail@mamotorworks.com)**

©Mid America Motorworks, Inc. All rights reserved.

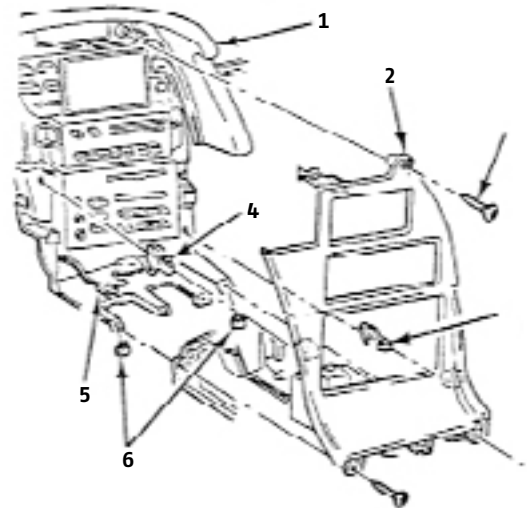


## Description (cont.)

### 1990 Center Dash Bezel

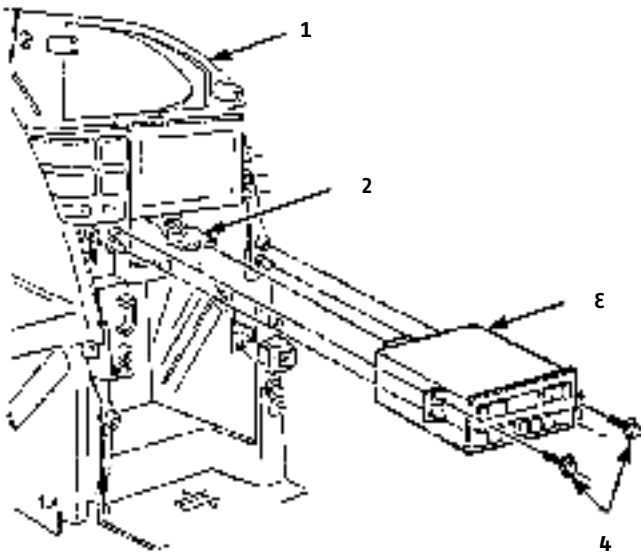


### 1991-95 Center Dash Bezel



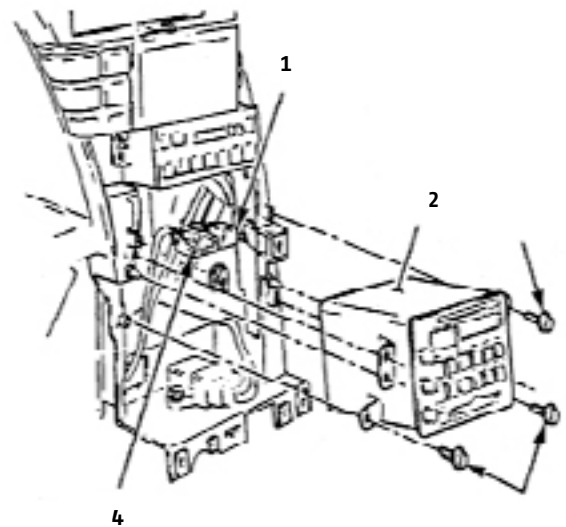
- |                         |                         |
|-------------------------|-------------------------|
| 1. Instrument Panel     | 4. Spring Clip          |
| 2. Screw                | 5. IP Harness Connector |
| 3. Accessory Trim Plate | 6. U Nut                |

### AC Control Head



- |                        |
|------------------------|
| 1. Instrument Panel    |
| 2. Harness Connector   |
| 3. AC Control Assembly |
| 4. Bolts               |

### Radio Control

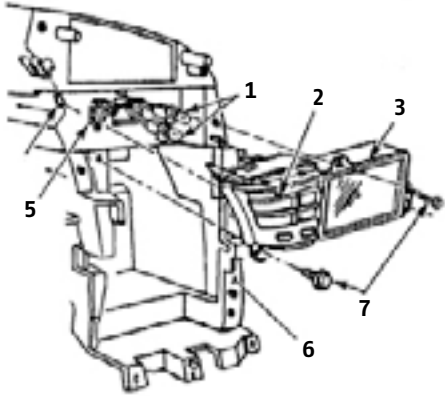


- |                         |
|-------------------------|
| 1. Harness Receiver     |
| 2. Radio Control        |
| 3. Bolts                |
| 4. IP Harness Connector |



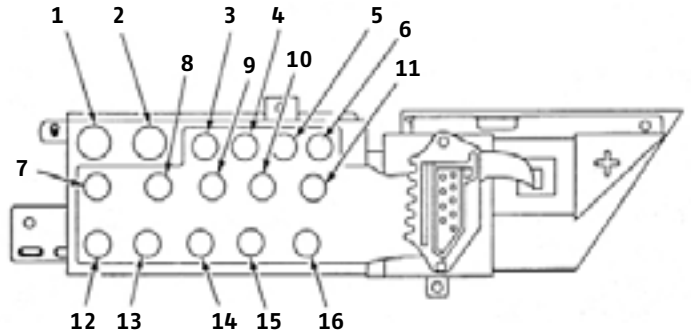
## Description (cont.)

Driver Information Panel



- |                            |                               |
|----------------------------|-------------------------------|
| 1. Low Tire Pressure Lamps | 5. Instrument Panel           |
| 2. Ambient Light Sensor    | 6. Harness Connector          |
| 3. Driver Info Center      | 7. Driver Info Center Locator |
| 4. Bolts                   |                               |

Driver Information Panel



- |                          |                           |
|--------------------------|---------------------------|
| 1. Low/Flat Tire         | 9. Air Bag                |
| 2. Service LTPWS         | 10. Low Coolant           |
| 3. Cat Temp (Japan only) | 11. ASR Active            |
| 4. Hazard (Export only)  | 12. Service Ride Control  |
| 5. ASR Off               | 13. Service ABS           |
| 6. Service ASR           | 14. Service Engine Soon   |
| 7. Service Ride Control  | 15. Battery               |
| 8. ABS Active            | 16. Passive Keyless Entry |

### REPLACING BULBS: AUTO TRANSMISSION SHIFT INDICATOR

#### STEP 1.

To access the bulb, first unseat the center console trim panel, as noted in previous instructions.

#### STEP 2.

After removing the three 7mm screws holding the trim panel to the console, lift up the trim panel and unplug the light socket going to the PRNDL indicator assembly.

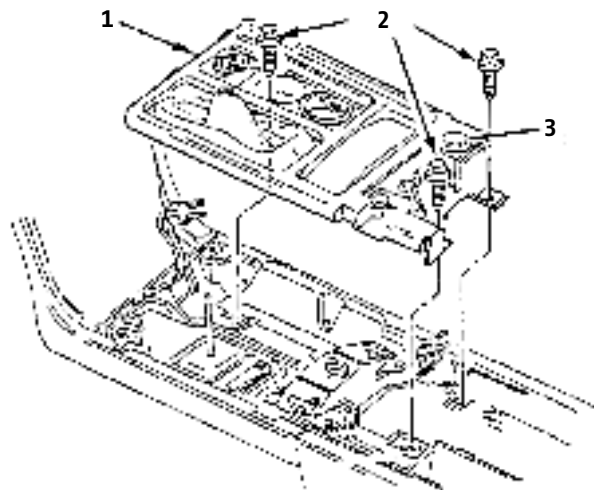
#### STEP 3.

Turn the socket counter-clockwise. The bulb should be a natural/amber bulb.

#### STEP 4.

When reassembling the plate, make sure the shift indicator indexing tab is over the shift lever stud.

Shift Indicator



- |  |
|--|
| 1. Console Trim Plate                  |
| 2. Screws                              |
| 3. Rear Compartment Lid Release Switch |