



Application: 1984-1989 Corvette

Part Includes
1 - Component

Center Panel Bulb Kit



Tools Needed

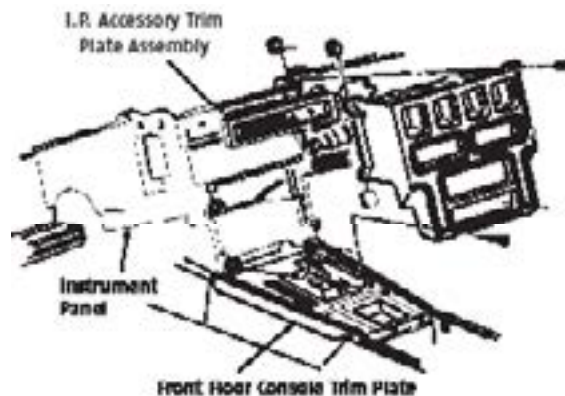


Search: **Light**
www.mamotorworks.com

VERY IMPORTANT!!! If you plan to install this entire kit at once, please read all instructions before beginning, as you will find you can combine steps for simplicity.

1984-89 INSTRUMENT PANEL BEZEL REMOVAL

To access the center instrument panel AC control head, radio control head, and driver information panel bulbs, remove the Phillips screw holding the bezel to the IP as shown in picture.



1984-89 MANUAL AC CONTROL HEAD BULBS

STEP 1.

Once the center instrument panel bezel is removed you will have to position the center console plate back slightly to remove the two lower screws holding the AC control head to the IP.

STEP 2.

Open the console lid and remove the two Phillips screws holding the console plate to the carrier.



Mamotorworks



@CorvettePassion



MidAmericaMotorworks



CorvettePassion

2900 North Third Street, Effingham, IL 62401
800.500.1500 • Worldwide: 217.540.4200 • FAX: 217.540.4800
www.mamotorworks.com • generalmail@mamotorworks.com
©Mid America Motorworks, Inc. All rights reserved.



Description (cont.)

STEP 3.

Remove the other four screws and lift up on the console plate and move it back a couple of inches.

STEP 4.

Now remove the four 7mm headed screws holding the control head to the IP.

STEP 5.

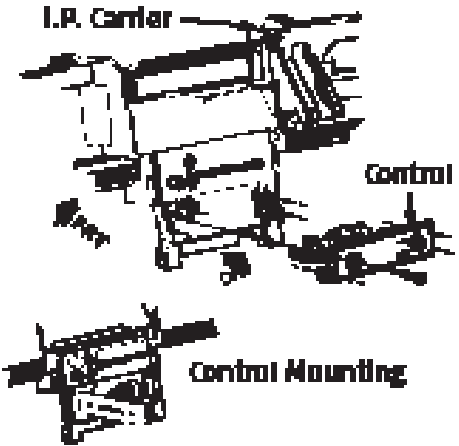
Pull the control head rearward, but do not remove it or disconnect anything.

STEP 6.

Locate the two small black light sockets on each side of the control head.

STEP 7.

Turn the sockets counterclockwise to remove them from the control head.



1986-89 ELECTRONIC AC CONTROL HEAD BULBS

STEP 1.

The center console plate will have to be positioned back slightly in order to remove the bottom screws holding the control head to the instrument panel.

STEP 2.

Open the console lid and remove the two Phillips screws holding the console plate to the center carrier.

STEP 3.

Remove the other four screws and lift up the console plate and move it back a couple of inches.

STEP 4.

Remove the four 7mm headed screws holding the AC control head to the dash.

STEP 5.

Pull the control head rearward and unplug it from the IP harness wire.

STEP 6.

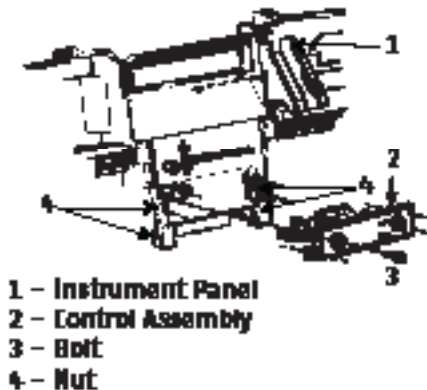
Remove a clip on each side of the control head face. These hold the face to the control head.

STEP 7.

Unplug the face from the control head and locate the back lighting bulb sockets.

STEP 8.

Turn the sockets counterclockwise and replace the bulbs.





Description (cont.)

1984-88 DRIVER INFORMATION PANEL BULBS

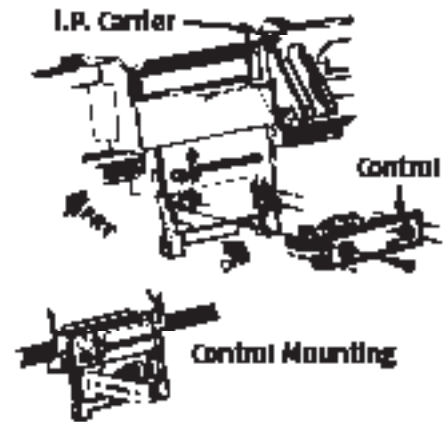
STEP 1.

Once the center instrument panel bezel is removed, remove the 7mm headed screws holding the upper driver information panel to the IP.

STEP 2.

Now pull rearward and unplug the connector going to the back of the information panel.

NOTE: You cannot unplug the left switch wires, so turn the panel face down allowing access to the bulb sockets. The two bulbs on the left are a lower candlelight power than the indicator bulbs. These bulbs should have a blue filament. The end bulbs have a white filament. If you have a UJ6 option (low tire warning), the two sockets can be removed for the bulb replacement. These leads come from the LTPWS module.



1989 DRIVER INFORMATION PANEL BULBS

STEP 1.

Once the center instrument panel bezel is removed, remove the 7mm headed screws holding the upper driver information panel to the IP.

STEP 2.

Now pull rearward and unplug the connector going to the back of the information panel.

Note: You cannot unplug the left switch wires, so turn the panel face down allowing access to the bulb sockets. The two bulbs on the left are a lower candlelight power than the indicator bulbs. These bulbs should have a blue filament. The end bulbs have a white filament. If you have a UJ6 option (low tire warning), the two sockets can be removed for the bulb replacement. These leads come from the LTPWS module.

1984-1989 RADIO CONTROL HEAD BULBS

STEP 1.

After the center dash bezel has been removed, remove the four 7mm headed screws holding the radio control head to the instrument panel.

STEP 2.

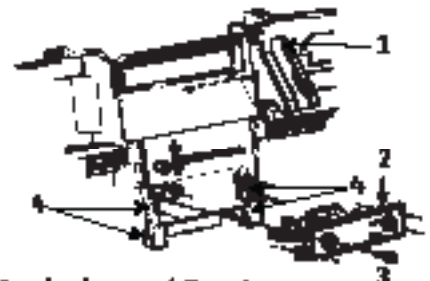
Carefully pull the radio out of the dash and unplug all connectors and coax from the radio. The black, blue, and white connectors are positive indexed so they cannot be cross plugged.

STEP 3.

Remove the radio from the car and lay it on a soft flat surface.

STEP 4.

Remove the radio knobs from the radio by pulling them off the shafts. This includes the bass and treble buttons. The face of the radio will have to be unsnapped in order to access the bulbs.



1 - Instrument Panel
2 - Control Assembly
3 - Bolt
4 - Nut



Description (cont.)

1984-1989 AUTO TRANSMISSION SHIFT INDICATOR BULB

To access the bulb, the center console shift plate has to be lifted up.

STEP 1.

Open the console lid and remove the two Phillips screws holding the center trim plate to the console carrier.

STEP 2.

Remove the other Phillips screws pointed downward holding the shift plate to the carrier.

STEP 3.

Remove the two bottom Phillips screws holding the center dash bezel to the dash. This allows you to lift up on the shift plate so you can access the socket going to the PRNDL indicator. Turn the socket counterclockwise to disconnect it. The new bulb should have a white filament. When reassembling the plate make sure the shift indicator indexing tab is over the shift lever stud.

