



Application: 1973-1982 C3 Corvette

Distributor Coil, GM HEI



Tools Needed



Part Includes

- 1 - MSD Coil
- 1 - 4" Black Ground Wire
- 1 - Rubber Isolator
- 1 - Rotor Bushing
- 4 - Mounting Screws

The MSD HEI Coil is designed for use with the MSD High Output HEI Module, PN 8364. It will work with stock ignition modules but for maximum output use the MSD HEI Module.

Note: The Rotor Bushing supplied is a replacement unit designed for stock or mild HEI Distributors and has very high resistance. If an MSD 7 Series or Digital Series Ignition is used an MSD Low Resistance Rotor Bushing, PN 8412, must be used to prevent damage to the cap and rotor.

DISASSEMBLY

STEP 1.

Remove the dust cover to access the HEI Coil and disconnect the three wiring harnesses from the distributor cap.

STEP 2.

Remove the four screws that hold the original coil.

STEP 3.

Lift the coil out of the cap and discard the original rubber isolator and rotor bushing.

INSTALLATION

STEP 1.

Install the new rotor bushing and rubber isolator.

STEP 2.

Install the MSD Coil. The terminals should slide easily into position into the cap. The Yellow and Red leads go in the outer slots of the cap. They cannot be interchanged.

STEP 3.

Insert the Black ground wire in the center slot of the cap and connect it to one of the Coil's retaining screws (Figure 2).

STEP 4.

Install the other three retaining screws followed by the dust cover and connect the harnesses.

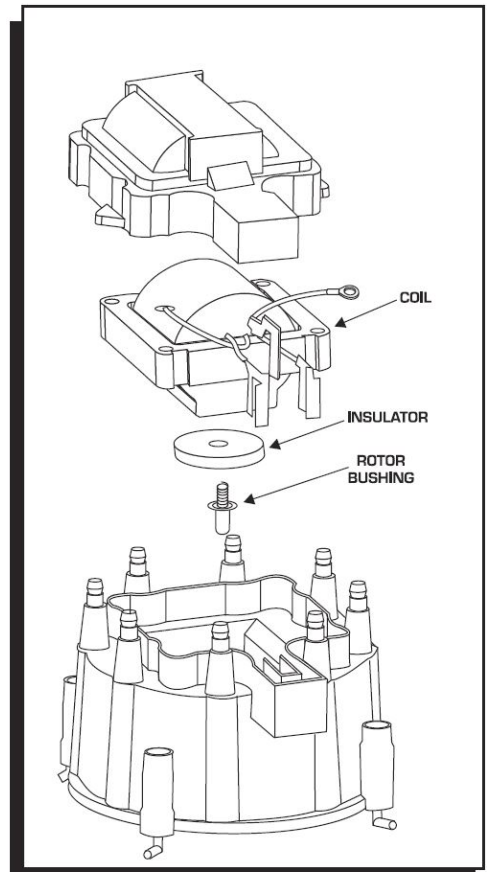


Figure 1 Installing the MSD GM HEI Coil.



MAMotorworks



Midamotorworks



MidAmericaMotorworks

2900 N. Third Street, P.O. Box 1368, Effingham, IL 62401
800.500.1500 • Worldwide: 217.540.4200 • FAX: 217.540.4800
www.mamotorworks.com • generalmail@mamotorworks.com
©Mid America Motorworks, Inc. All rights reserved.



Distributor Coil, GM HEI (cont.)

698-199

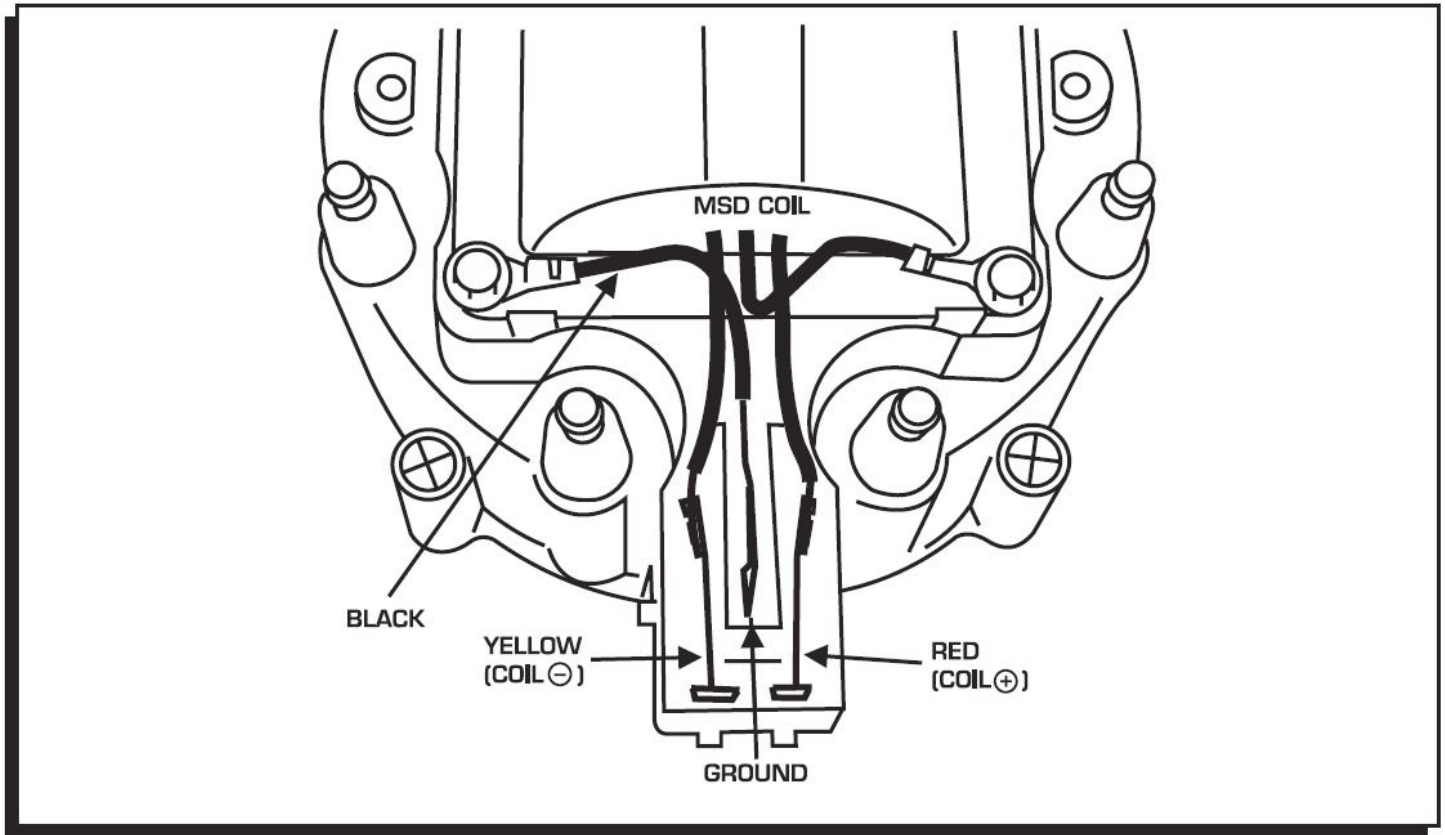


Figure 2 Wire Location.