

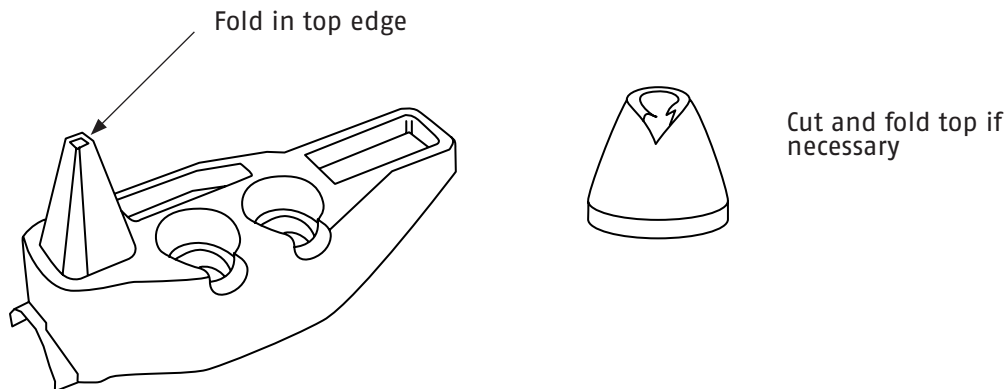


Suggested Installation Instructions for Product Numbers:

304-731, 1965-1964 Beetle, 1956-64 Ghia and 1961-1964 Type 3 Console Assembly

304-734, 1965-1979 Beetle, 1965-74 Ghia Console Assembly

Step 1. Remove your shift knob and slip the console and boot over the shift lever and fold over top of boot to conceal the edge. Reattach your shift knob. If you cannot remove the shift knob, cut the shift boot on the side opposite the seam until it can be slipped over the knob, then fold over.



Step 2. Locate the console in the vehicle and be sure it does not interfere with the shifter or accelerator pedal. Drill 1/8" holes through the console at the indicated locations and mark the location on the carpet. Use a soldering iron to seal the hole to prevent the carpet from unraveling. Attach the console at the locations shown using the 3 self drilling screws supplied.

